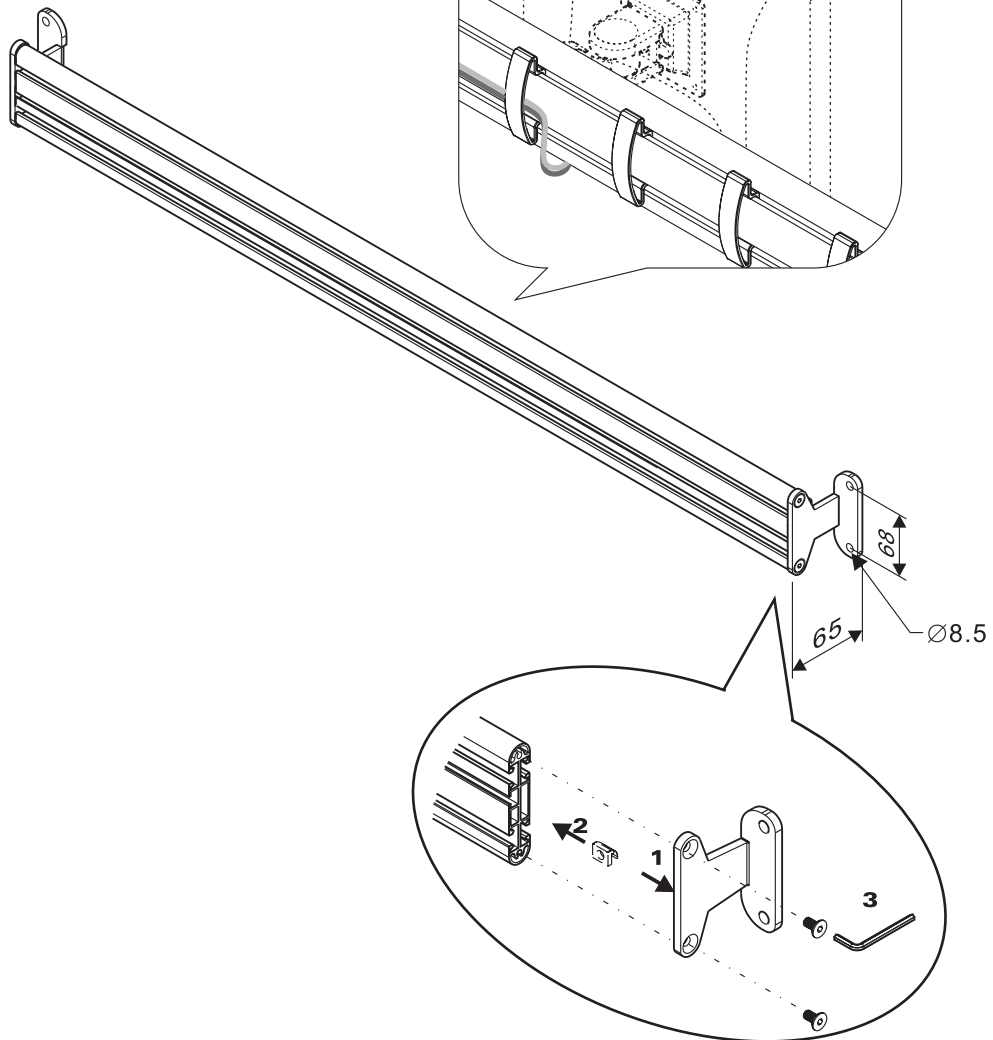
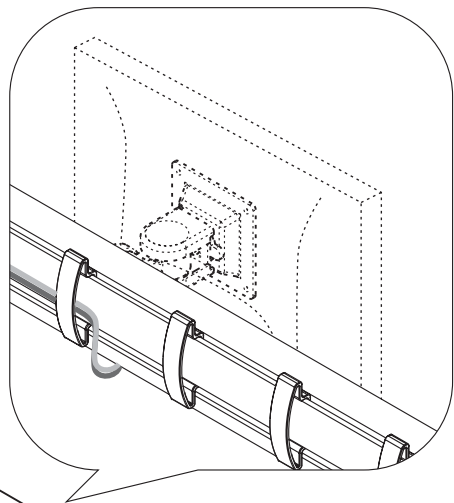
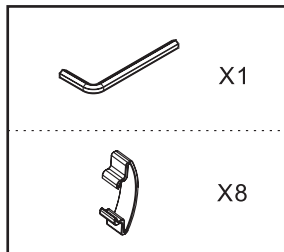


PA-103A

Check List



PA-103A

Check List

