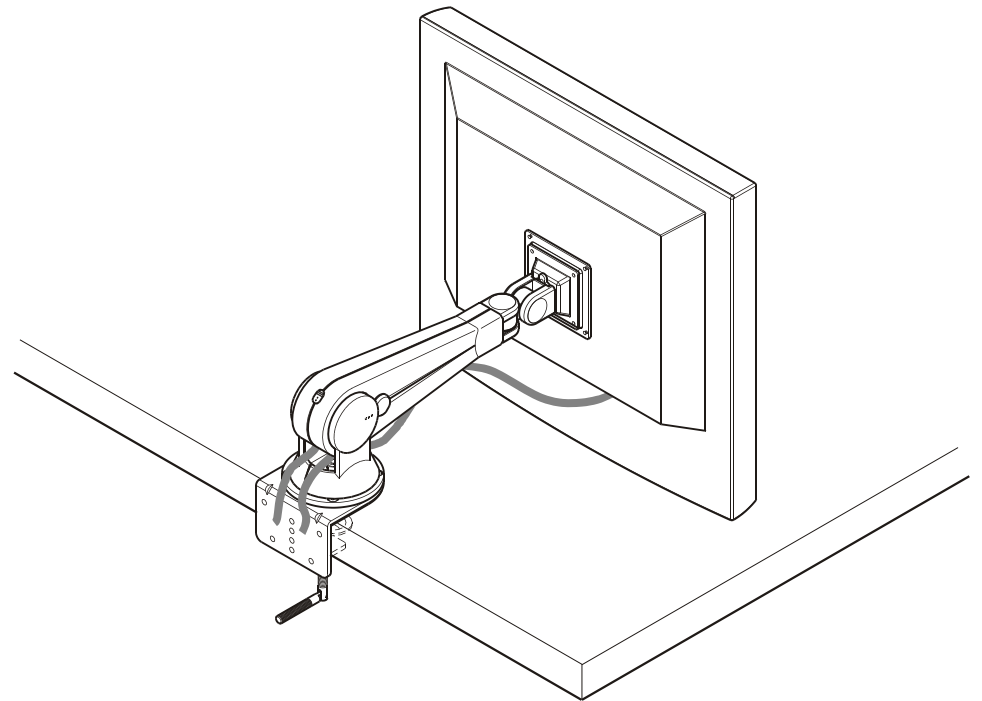


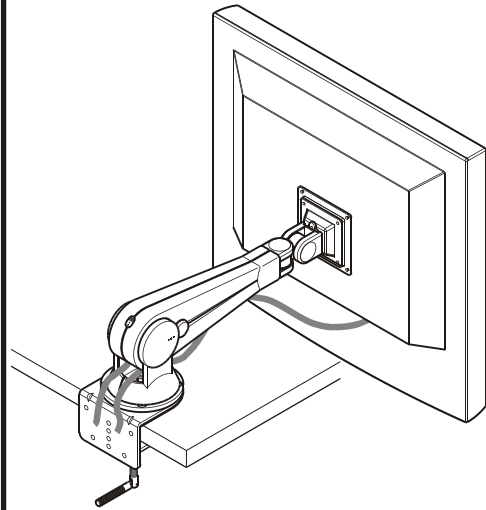
User's Manual

LCD Flat Panel Monitor Arm



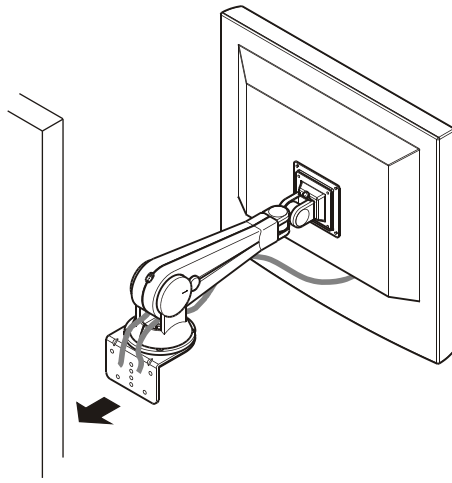
Quality product begins with quality thinking and quality service.

A. Standard Befestigungs System



Clamp to the desk with at least 2 screws.
For desks 15mm - 102mm thick, over 30mm is suggested.

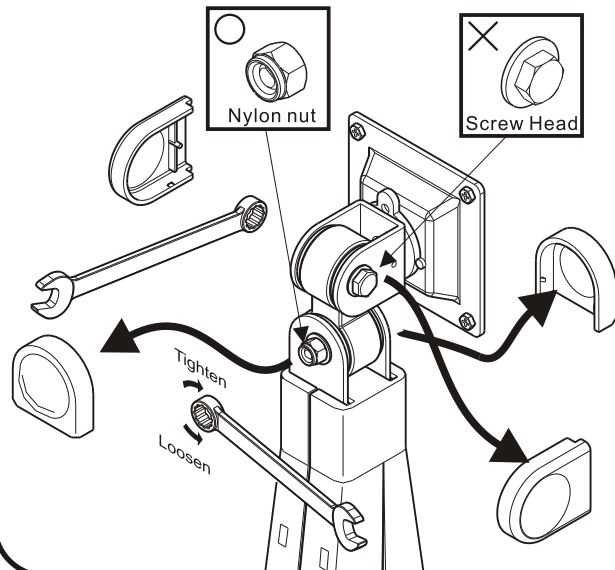
B. Mounting on wall (Application)



Before assembling the arm to the wall, make sure to remove the desktop clamp first.
Hardware(screws) is not included.

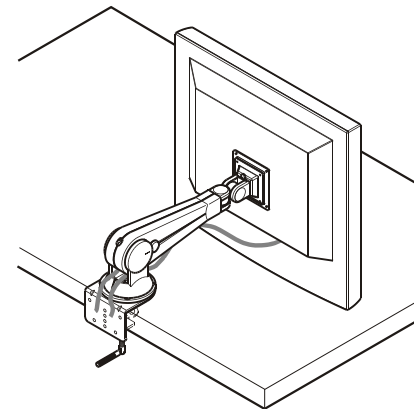
Adjusting Universal Joint Tension

When assembling the arm with monitors of differing weights, you may find that the tension of the universal joint needs to be adjusted to ease movement or to maintain the desired monitor position. If so, adjust as follows:



- Remove the four plastic universal joint covers
- Find the nylon nut (not the screw head) and use the included wrench to adjust the tension.
- Use one hand to support the monitor and adjust the tension of the universal joint.
 - 1 Clockwise : more tension
 - 1 Counterclockwise : less tension
- When the desired tension is achieved, replace the four plastic covers.

Caution:
 1 Support the monitor during the adjustment procedure.
 1 Only adjust the nylon nut (not the screw head).
 1 Do not disassemble the universal joint .







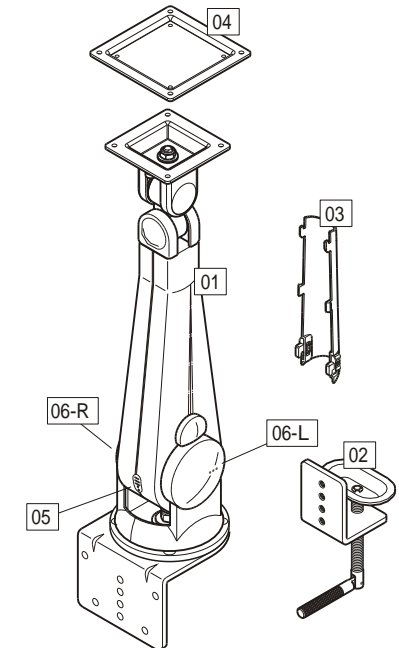
Before starting Assembly
Please spend a short time reading this manual then follow the simple step by step guide to assembly. Some panels are viewed differently from the exploded drawing below, this is for extra clarity.
Do not discard any of the packaging until you have checked all the parts and the pack of fittings. If you are missing any of the parts, contact store where you purchased.

Parts Check-List



Code	Component	Qty
01	Arm	1
02	Clamp	1
03	Cable Cover	1
04	Connector Plate	1
05	Rubber Cap	1
06	Base Cover	1pair

Fitting Check-List

Code	Description	Qty
07	Screw 	8
08	Bolt 	4
09	Screw 	4
10	Allen key 4mm 	1

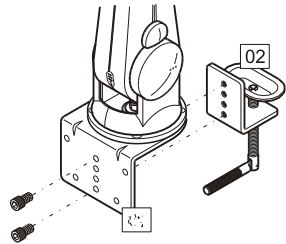


Tools Check-List

Allen Key 
 Wrench 

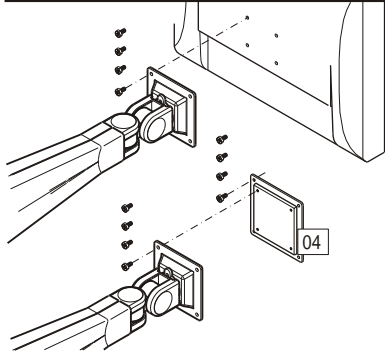
Caution:

Regular cleaning with a clean dry cloth is usually sufficient, but for stubborn marks, wipe over gently with a clean damp cloth. Never use strong detergents or abrasive cleaners as these may damage the surface finish of your furniture. There are many small components used in the construction of this unit. These loose items should be kept away from young children while assembling your unit.



08  x4

Before install, please make sure that the anti-skid pad has already stuck under the bracket.
Secure the clamp 02 to the bracket under the monitor arm 01 with at least two bolts 08. The use of bolts and bolts position depends thickness of desk. Fully secure bolts with allen key provided. It is necessary to clamp the monitor arm to your desk top first.
For desks 15mm - 102mm thick, over 30mm is suggested.

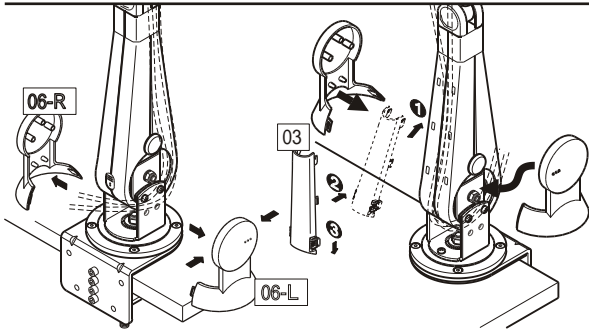


07  x8

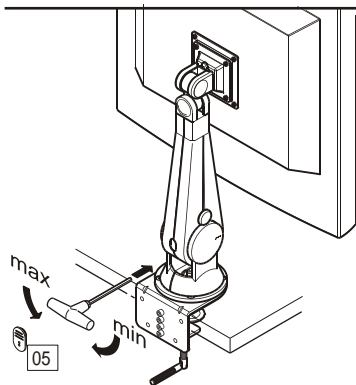
Check your LCD panel first to find which VESA standard interface it supports before assembling.

75 mm x 75 mm VESA standard interface
Secure the arm to the rear of the LCD panel with screws 07.

100 mm x 100 mm VESA standard interface
Secure 100 x 100 mm plate 04 to the arm with screws 07, then secure the arm to the rear of the LCD panel with screws 07.



Press two sides of 06-L lightly and remove 06-R, 06-L outwards. secure 4 screw 09 with 4mm Allen key 10. Gather cables along with arm body and assemble cable cover 03 to keep cables steady. Assemble 06-L and 06-R back to arm after finish cable managing. Make sure slidelock upward before assemble. Lock downward slidelock after cable cover hooks all press into the arm hole.



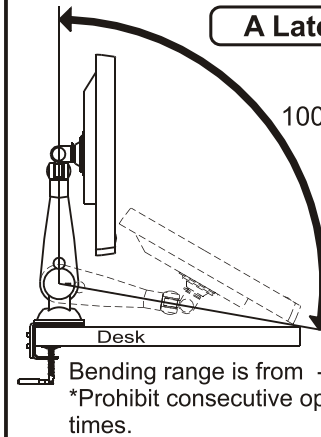
Remove the rubber cap 05, use the Allen key provided to adjust the weight capacity from 7 to 14 kgs. The weight is originally set up at 14 kgs.

ADJUSTMENT:
Be sure to adjust the weight in a vertical position as illustrated. Twist the Allen key in a clockwise direction for less weight; counterclockwise direction, more weight. Make sure of the LCD panel weight prior to adjusting the weight according to the instruction.

Panel weight	clockwise direction
14 kgs	3-4 turns
13-12 kgs	5-7 turns
11-10 kgs	8-10 turns
9-8 kgs	10-12 turns

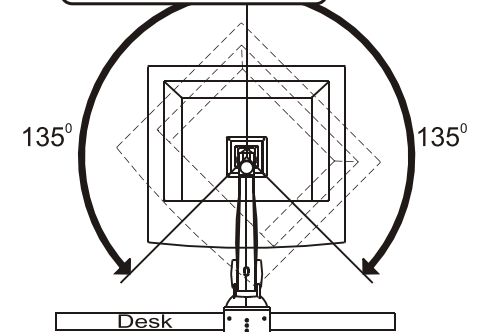
Arm Operation

A Lateral View



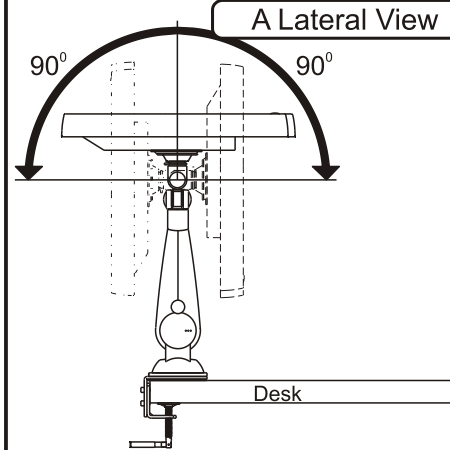
Bending range is from -10° ~ 90° .
*Prohibit consecutive operation over 10 times.

A Back View

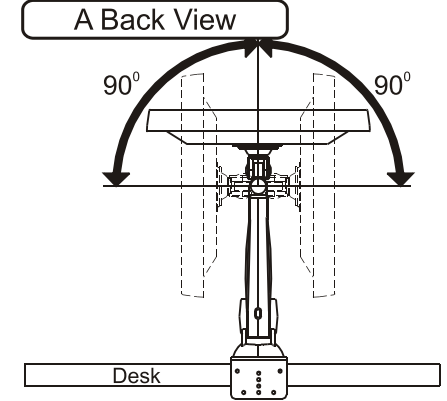


Panel rotate $+90^{\circ}$. Guarantee: 6000 turns.
*Prohibit consecutive operation over 10 times.

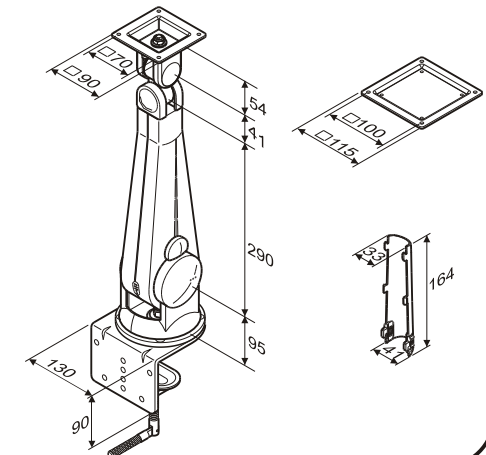
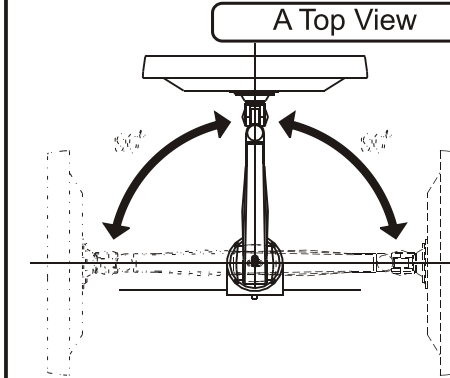
A Lateral View



A Back View



A Top View



11 Safety Notes:

1. Do not rotate the arm over the edge of desk to avoid the arm falls.(Fig.1)
2. Do not place the arm in a shaking environment .
3. Do not remove any parts except handle, rubber cap and bolt as illustrated.(Fig.2)
4. Do not put your fingers in the space of knobs to avoid getting hurt.(Fig.3)
5. Please maintain all operation under room temperature.
6. Do not place other stuff on the surface of the arm.
7. Do not place the panel weighted over 14 kgs.
8. Use both two hands to adjust monitor view angle. (Fig.4)
9. Be sure to secure the arm to the panel with 4 screws tightly.(Fig.5)
10. Be sure to adjust the arm in a vertical status after the job done to avoid the resiliency exhaustion of gas cylinder.(Fig.6)
11. Cable cover is restricted to hold two 8mm & two 3mm cables or cords.

